

USER MANUAL

AIR PURIFIER

SP-75UV



Content

Caution.....	1
Purification system	2
Technical specification.....	3
Before use.....	3
Operation guide.....	4
Replace filter	7
Maintenance guide	9
Troubleshooting.....	10
Producer	10
Supplier and service support.....	10

For safety purpose, please read this operating instruction manual carefully before use and keep it for future reference.

EN / User manual

Ver.2 10-02-2021

Caution

- Please don't use if the cable and plug is broken.
- Don't touch with wet hand. It may cause fire hazard and risk of shock.
- Switch it off and unplug it when move the unit, undergo maintenance.
- Unplug the unit when not use for long time.
- Stop using the product if you found odor in the unit, contact after-sales service.
- Before use, please check if there are objects drop inside the unit.
- Place the unit 50mm away from the wall or obstacle.
- If the cable is damaged, to prevent any risks, only service staff and professionals are allowed to replace it.
- Please don't spray any painting, pesticide, alcohol and any chemical on the unit, otherwise it will cause crack on unit, risk of shock and fire hazard.
- If any chemical placed inside of the unit, it will release to air from air outlet. It may be harmful to your healthy.
- After used pesticide in the room, please don't use the unit.
- Don't use the unit in flammable and corrosive environment.
- When the unit is working, please don't touch air inlet and outlet.
- Don't insert your hands or other objects into the air inlet and outlet to prevent from hurt or damage the unit.
- To prevent from any accident and harm, don't sit on the unit or place any object on the unit.
- Please don't use the unit in bathroom or wet places. It may cause fire hazard and risk of shock.
- Don't improperly modify, disassemble, repair the unit, It may cause fire hazard and risk of shock.

Purification system

This product has multi-stage filtration system. It can be effectively remove haze, dust, dander, hair, pollen, smoke and other floating particles, bacteria, virus and also removes formaldehyde, benzene, ammonia, vocs and other odors.

Hepa filter class H13 coated with silver nanoparticles: It can eliminate 99.9% of pollutants like fumes, soot, smoke, pollen, bacteria and viruses.

Activated carbon filter: It uses highly efficient activated carbon made from coconut shells. The carbon filter effectively removes formaldehyde, benzene, ammonia, volatile organic compounds and other odors.

Air ionization: The generator produces millions of negative ions that literally stick to dust particles and bacteria in the air. Negative ions cause particles and bacteria to be too large and heavy to remain in the air. Like this they can be trapped by the air filter. After only 2 hours of operation, the air in the room is cleaner, fresher and has a significantly reduced amount of bacteria.

UV-C LED air disinfection: The ultraviolet spectrum of sunlight is the main cause of microbial dease in the outdoor air. The speed of the microbial dease outside varies from pathogen to pathogen. Killing 90-99% of viruses or infectious bacteria can generally take from a few seconds to a few minutes. The light from the integrated UV-C LED replaces the ultraviolet spectrum of sunlight and ensures fast, comfortable and effective disinfection of the air passing through the device. It destroys up to 99.9% of germs. It also increases odor removal efficiency and instantly kills bacteria and fungi. The lifespan of the UV-C LED is 20,000 hours.



Technical specification

Product	Air purifier SINCLAIR
Model	SP-75UV
Power input voltage	220 V~ / 1 Ph / 50 Hz
Rated power input	70 W
Sound pressure level	57 dB(A)
Netto/brutto weight	9,7 / 11 kg
Clean Air Delivery Rate (CADR)	600 m ³ /hour
Wavelength of UV-C LED	265 - 315 nm
Suitable room size	75 m ²
Dimensions (w × h × d)	320 × 745 × 320 mm
Replacement filter	SPF-75

This product has PM2.5 sensor built inside. LED colors indicate air quality level.

Air quality level	LED color	Speed
Excellent	Green	1
Average	Yellow	2
Poor	Red	3

Before use

- **Removal of PE bag:** Before first time use, please open the filter door, take out the filter and remove its PE bag wrap - or the unit will not be able to purify the air.
- This product is not recommended to placed on uneven surface to avoid vibration, noise during working and prevent risk of shock.
- To achieve better purification results, place product in an open area, refrain from blocking air inlet and outlet of unit.
- To prevent damage, do not put any objects inside the unit.
- When not in use for an extended period, unplug it and keep away from children.

Operation guide



Power: Turn on/off the unit.



Fan Speed: Press the button to change to Speed 1, 2 or 3.



Health and Ionizer: Press Health button turn on/off ionizer. When turn on, the LED is on.



Health



Health and UV: Press Health button to turn on/off UV function. When turn on, the UV-C LED is on.



Mode



Turbo mode: Press Mode button to change mode to Turbo, fan speed turn to the highest speed.



Mode



Sleep mode: Press Mode button to change the mode to Sleep, in this mode, fan speed will turn to the lowest.



Mode



Auto Mode: Press Mode button to change the mode to Auto. Fan speed will automatically change according to air quality level. If air quality is bad, the fan speed will be turned to higher speed.

Child lock



Press both Speed and Power buttons at the same time for 5 seconds to activated Child Lock function, after beep sound, other buttons don't work. To deactivated it, press both buttons at the same time for 5 seconds.

Filter replacement reminder



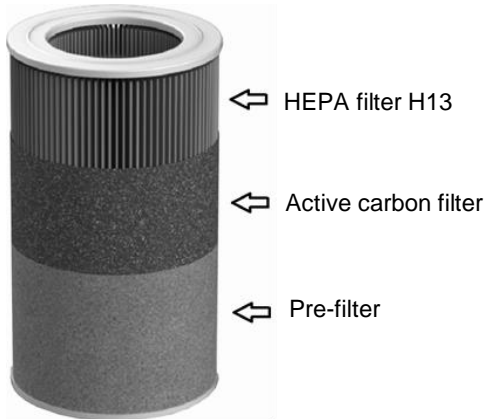
When turn on the unit, it start to count the life of filters. It will continue to count with every power on from where it was left off. After reaching 2000 hours, the Ionizer and UV LEDs will flash to indicate that a replacement is needed. After the filter was replaced, press Health and Speed button at the same time for 3 seconds, LED will off. The unit will restart count the filter life again.

Replace filter

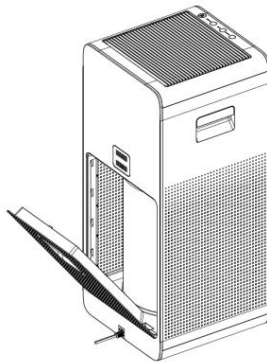
The filter need to be replaced after reaching 2000 hours. If you use the product 5 hours a day, the filter change interval is approximately 1 year. We recommended to replace the filter more frequently if the product is used in a condition significantly severer than normal use.

Please follow the points (1,2,3) and pictures to correctly install the filter:

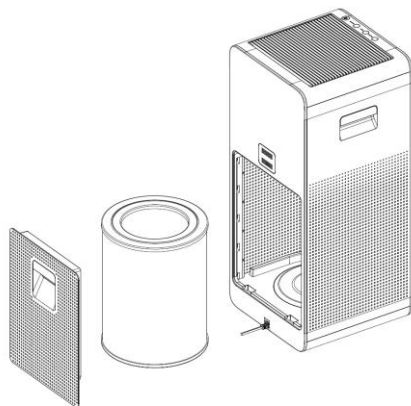
Filtr SPF-75



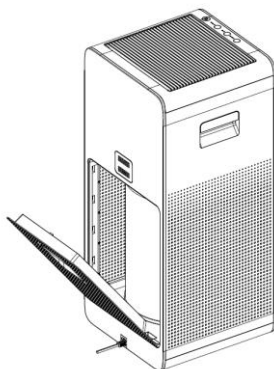
1. As shown in diagram below, please open the filter door, take out the filter.



2. Install a new filter in correct direction.

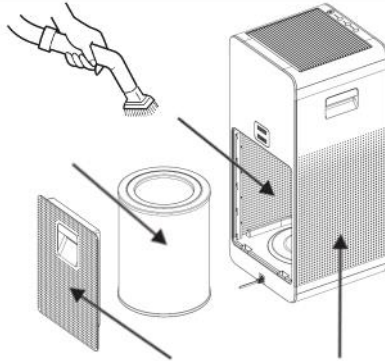


3. Close the filter door.

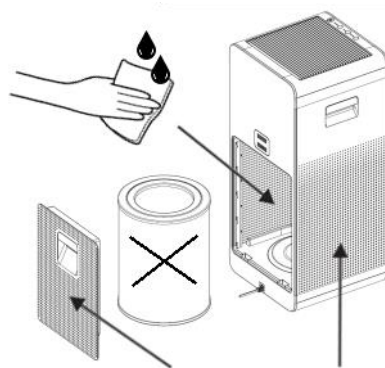


Maintenance guide

- To extend the life of unit, please regularly undergo maintenance. Before maintenance, please switch off the unit and unplug it.



- Before clean the external of the unit, please cut off the power.
 - Use soft and clean cloth.
 - Do not use alcohol, gasoline, benzol and other chemical cleaner.



- After use, if the filter need to be replaced, the filter change indicator on the control panel flashes. It reminds of user to replace with a new filter SPF-75 (page 9-10).

Troubleshooting

Malfunction	Check point	Solution
Failure to power on.	Check if switch is on.	Switch unit on.
	Check if plug is loose.	Correctly plug it to power source.
Unit operating sound very low and weak air output.	Check if PE bag was removed.	Remove the PE bag and install the filters in correct direction.
	Check if air outlet is blocked.	Switch off unit and remove any obstruction.
Air outlet has an odor.	Check if the filters need to be replaced.	Replace filters for the unit.

Producer

SINCLAIR CORPORATION Ltd.

1-4 Argyll St.

LONDON

W1F 7LD

United Kingdom

www.sinclair-world.com

The device was made in China.

Supplier and service support

SINCLAIR Global Group s.r.o.

Purkyňova 45

612 00 Brno

Czech Republic

Phone: +420 541 590 140

www.sinclair-solutions.com

info@sinclair-solutions.com

