

USER'S MANUAL

DEHUMIDIFIERS

CFO-16P



IMPORTANT SAFEGUARDS

- The appliance is not intended for use by persons (including children) with reduced physical, sensory or mental capabilities, or lack of experience and knowledge, unless they have been given supervision or instruction concerning use of the appliance by a person responsible for their safety.
- Children should be supervised to ensure that they do not play with the appliance.
- FOR EUROPEAN MARKET ONLY: This appliance can be used by children aged from 8 years and above and persons with reduced physical, sensory or mental capabilities or lack of experience and knowledge if they have been given supervision or instruction concerning use of the appliance in a safe way and understand the hazards involved.
- Children shall not play with the appliance.
- Cleaning and user maintenance shall not be made by children without supervision.
- Keep the appliance and its cord out of reach of children aged less than 8 years.
- Disconnect the appliance from its power source during service and when replacing parts.
- Warning: before obtaining access to terminals all supply circuits must be disconnected.
- If the supply cord is damaged, it must be replaced by the manufacturer, its service agent or a similarly qualified person in order to avoid a hazard.
- Disconnect the power supply before cleaning and maintenance.
- The appliance shall not be installed in the laundry.

- Do not use this unit for functions other than those described in this instruction manual.
- If the power cord becomes worn or damaged, the cord should only be replaced by a qualified service technician using genuine replacement parts.
- Make sure the plug is plugged firmly and completely into the outlet. It can result in the risk of electric shock or fire.
- Do not plug other appliances into the same outlet, it can result in the risk of electric shock.
- Do not disassemble or modify the appliance or the power cord, it can result in the risk of electric shock or fire. All other services should be referred to a qualified technician.
- Do not place the power cord or appliance near a heater, radiator, or other heat source. It can result in the risk of electric shock or fire.
- This unit is equipped with a cord that has a earthed wire connected to an earthed pin or grounding tab. The plug must be plugged into a socket that is properly installed and earthed. Do not under any circumstances cut or remove the earthed pin or grounding tab from this plug.
- The unit should be used or store in such a way that it is protected from moisture e.g. condensation, splashed water, etc. Unplug unit immediately if this occurs.
- Always transport your appliance in a vertical position and place on a stable, level surface during use. If the unit is transported laying on its side it should be stood up and left unplugged for 6 hours.
- Always use the switch on the control panel to turn the unit or remote control off, and do not start or stop operation by plugging in or unplugging the power cord. It can result in the risk of electric shock.
- Do not press the buttons on the control panel with anything other than your wet or damp fingers.
- Do not use hazardous chemicals to clean or come into contact with the unit. To prevent damage to the surface finish, use only a soft cloth to clean the appliance. Do not use wax, thinner, or a strong detergent. Do not use the unit in the presence of inflammable substance or vapour such as alcohol, insecticides, gasoline, etc.
- Young children should be supervised to ensure that they do not play with, operate or climb on the appliance.
- If the appliance is making unusual sounds or is emitting smoke or an unusual odor, unplug it immediately.
- Do not clean the unit with water. Water can enter the unit and damage the insulation, creating a shock hazard. If water enters the unit, unplug it immediately and contact Customer Service.

IMPORTANT SAFEGUARDS

- Utilize two or more people to lift and install the unit.
- Be sure all accessories are removed from the packing before use.
- To avoid possible cuts, avoid contacting the metal parts of the appliance when removing or re-installing the filter. It can result in the risk of personal injury.
- Do not block the air inlet or outlet of the appliance. Reduced air flow will result in poor performance and could damage the unit.
- Always grasp the plug when plugging in or unplugging the appliance. Never unplug by pulling on the cord. It can result in the risk of electrical shock and damage.
- Install the appliance on a sturdy, level floor capable of supporting up to 110lbs(50kg). Installation on a weak or unlevel floor can result in the risk of property damage and personal injury.
- Close all doors and windows to the room for most efficient operation.
- GWP: R410A: 2088, R134a: 1430, R290: 3

IMPORTANT - GROUNDING METHOD

This product is factory equipped with a power supply cord that has a three-pronged grounded plug. It must be plugged into a mating grounding type receptacle in accordance with the National Electrical Code and applicable local codes and ordinances. If the circuit does not have a grounding type receptacle, it is the responsibility and obligation of the customer to exchange the existing receptacle in accordance with the National Electrical Code and applicable local codes and ordinances. The third ground prong should not, under any circumstances, be cut or removed. Never use the cord, the plug or the appliance when they show any sign of damage. Do not use your appliance with an extension cord unless it has been checked and tested by a qualified electrical supplier. Improper connection of the grounding plug can result in risk of fire, electric shock and/or injury to persons associated with the appliance. Check with a qualified service representative if in doubt that the appliance is properly grounded.

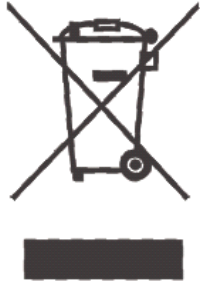
ELECTRICAL CONNECTIONS

Before plugging the appliance into the mains socket, check that:

- The mains power supply corresponds to the value indicated on the rating plate on the back of the appliance.
- The power socket and electrical circuit are adequate for the appliance.
- The mains socket matches the plug. If this is not the case, have the plug replaced.
- The mains socket is adequately earthed. Failure to follow these important safety instructions absolves the manufacturer of all liability.

IMPORTANT SAFEGUARDS

Important information for correct disposal of the product in accordance with EC Directive 2002/96/EC.



At the end of its working life, the product must not be disposed of as urban waste. It must be taken to a special local authority differentiated waste collection centre or to a dealer providing this service. Disposing of a household appliance separately avoids possible negative consequences for the environment and health deriving from inappropriate disposal and enables the constituent materials to be recovered to obtain significant savings in energy and resources. As a reminder of the need to dispose of household appliances separately, the product is marked with a crossed-out wheeled dustbin.

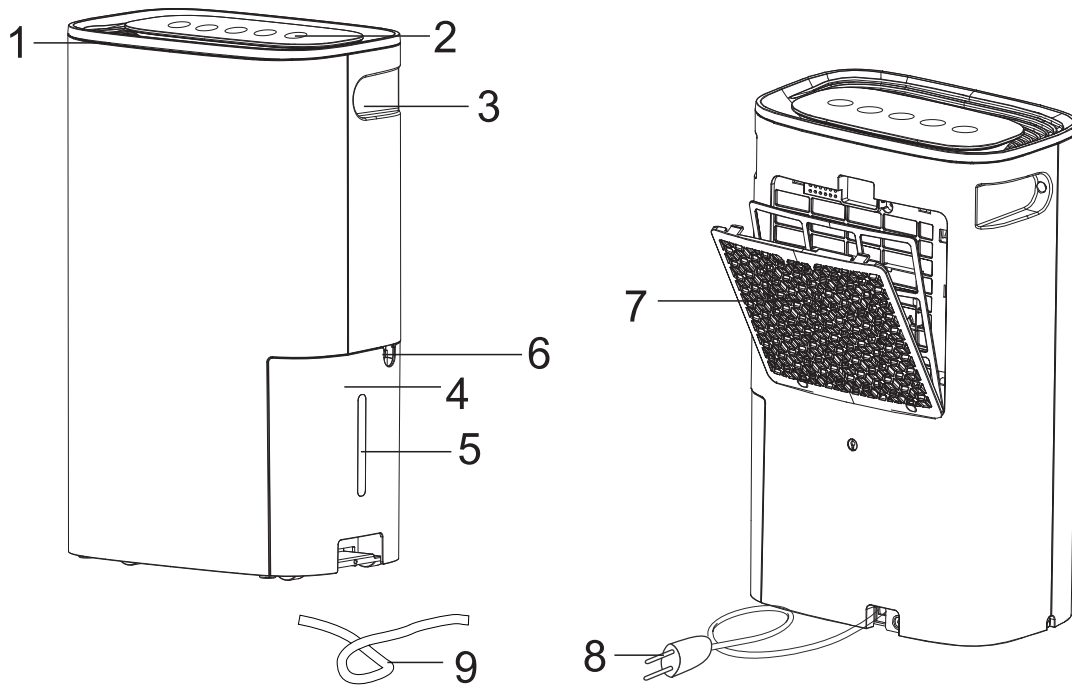
SOME NOTIONS ON HUMIDITY

Air always contains a certain amount of water in the form of vapour. This determines the level of humidity in an atmosphere. The capacity of the air to hold water vapour increases with temperature. This is why in our homes, as soon as the temperature decreases, the vapour contained in the air condenses, as is evident on the colder surfaces in the room, such as the windows, walls etc. The purpose of a dehumidifier is to remove the excess moisture from the air, avoiding the damage caused by condensation.

Experts have established that the optimum environmental conditions for our well being and for the home are obtained between 40% and 60% relative humidity. With very low temperatures, you are recommended to heat the room even minimally. This considerably increases the dehumidifying power of the appliance. With heating, the condensation formed by the water vapour on windows and other cold surfaces evaporates into the air to be collected by the dehumidifier. Air leaving the dehumidifier is usually about 1°C-2°C warmer than room temperature.

PARTS AND FEATURES

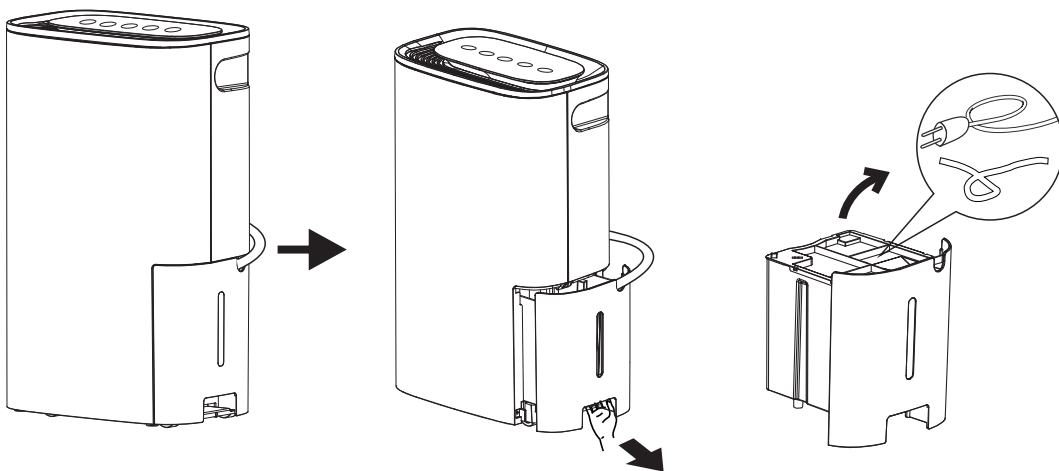
KEY PARTS AND COMPONENTS



DESCRIPTION

- | | | |
|------------------|-----------------------|------------------|
| 1. Air outlet | 4. Water tank | 7. Air inlet |
| 2. Control panel | 5. Water level window | 8. Power cord |
| 3. Handles | 6. Drainage hole | 9. Drainage pipe |

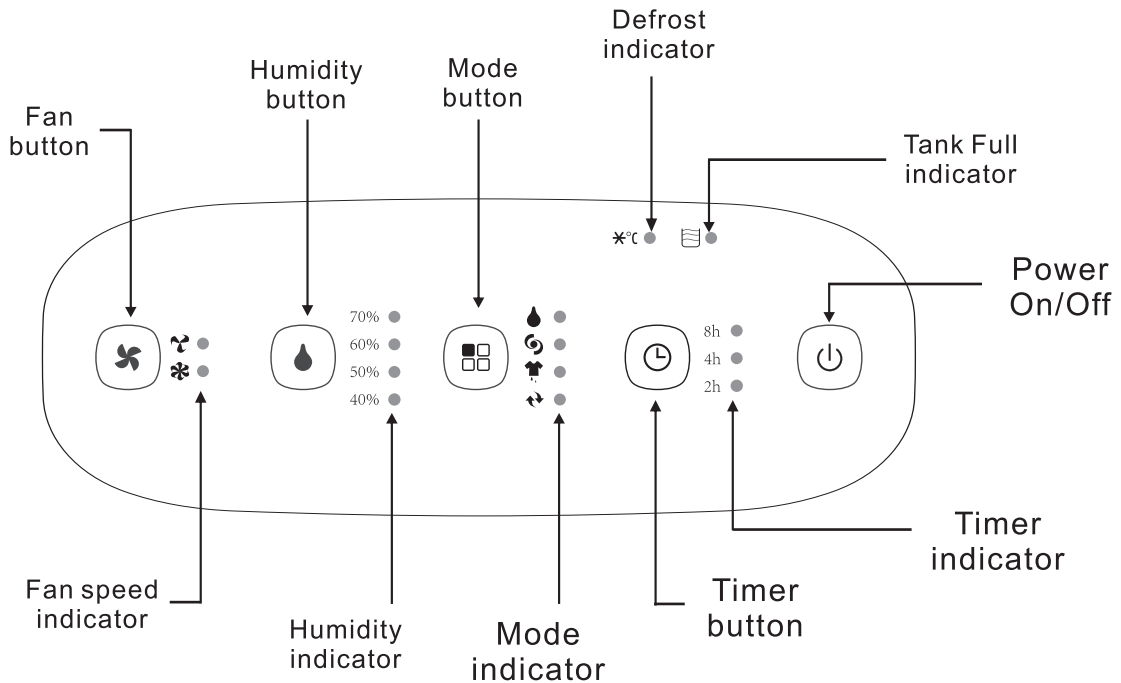
ATTENTION BEFORE USE



1. First partially pull out the power cord for space to remove the tank.
2. Pull out the water tank, remove the cover, take out power cord and drainage pipe.
3. Turn back the cover, and re-install the water tank again.

PARTS AND FEATURES

CONTROL PANEL



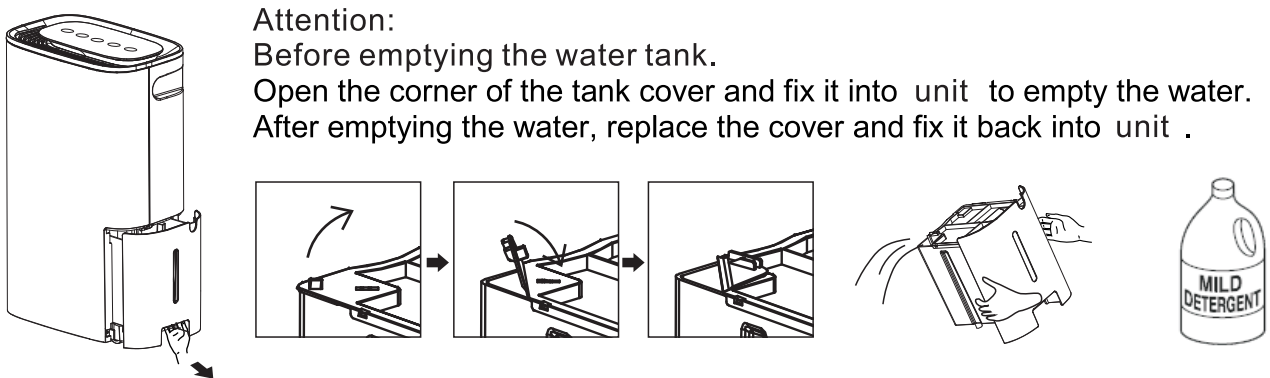
CONTROL PANEL

- 1) When first operating the dehumidifier, run it in Continuous mode for 24 hours.
- 2) Power On and Off - Press the POWER button once to manually turn the unit on. Press the POWER button again to turn the unit off.
- 3) Fan button - Press the Fan button to cycle through the different fan speeds: High “❄️” and Low “🌀”. The fan speed operating can be distinguished by the fan speed indicators on the control panel.
- 4) Humidity selection - Press the humidity button to choose the desired relative humidity in the room. The humidity is cycle display “70%-60%-50%-40%”.
- 5) Mode selection - press the Mode button to choose from “💧” Dehumidify, “🌀” Turbo, “👤” Dry, “↻” Continuous. The corresponding indicator will light up.
- 6) Time - To program the unit to automatically turn on or off, press Timer button to cycle choose “2h - 4h - 8h - off”.

NOTE: Fan will continue to run even when the compressor is off. This is normal and allows the unit to circulate air and operate more efficiently

PARTS AND FEATURES

7) Water Tank Full – When the water tank is full of water, the unit will automatically shut off, make a beeping noise, and the water Tank Full Indicator will light up. The dehumidifier will not function until the water tank is emptied and placed back inside the unit. The water tank should be cleaned every few weeks to prevent the growth of mold, mildew and bacteria. Use a mild detergent to clean the water tank. Once clean, completely dry the water tank and place it back inside the dehumidifier.



NOTE: Hold water tank with both hands when emptying.

NOTE: When the water tank is full or removed from the machine, the compressor will turn off, but the fan will continue to run for a few minutes. This is completely normal. The dehumidifier will not be removing moisture from the air at this time.

NOTE: When removing moisture from the air, the dehumidifier will exhaust warm air from top.

NOTE: Do not place a full water tank on the floor, because the bottom is uneven.

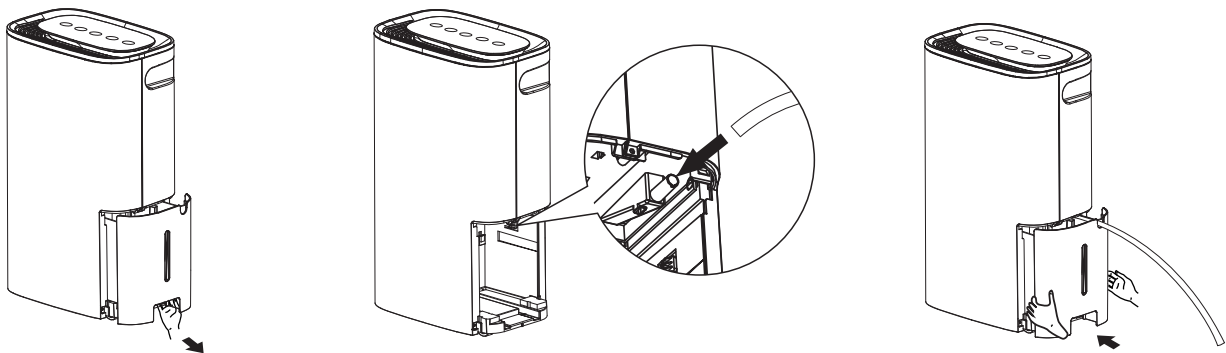
8) Defrost Indicator - When the defrost indicator light is on, that means the unit is running the defrost program. When the temperature of the room is too low, there will be frost on the heat-exchanger, and the unit will auto run the defrost program. At that time, the compressor is turned off, and the fan continues to run, until the frost disappears. When the defrost program has finished, the compressor will turn on again, and the defrost indicator will turn off. If the indicator is flashing, that means the sensor has failed, please call Customer Service.

PARTS AND FEATURES

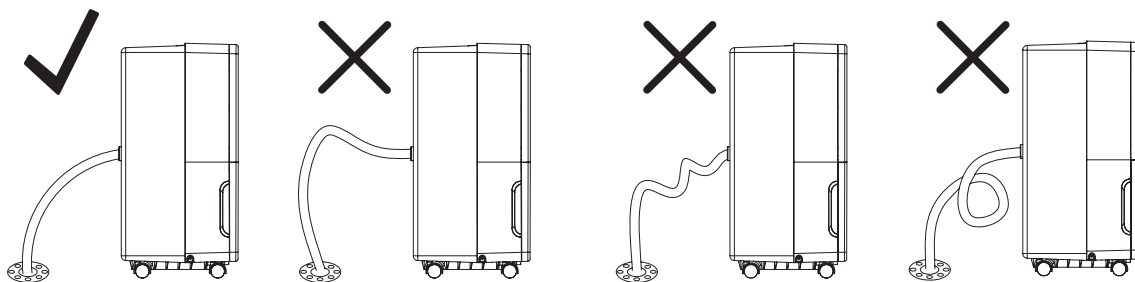
9) Continuous drainage

Water can be automatically emptied by attaching a hose to the continuous drainage port in the unit. This will allow the unit to run continuously (depending on the selected humidity level) without having to empty the water tank. To drain, simply attach the drainage pipe attached.

- Place the unit on a level surface.
- Pull out the water tank.
- Push the drainage pipe on the port in the unit.
- Reinstall the water tank back into the unit, make sure the pipe is in the notch of the water tank.



When you use the drainage pipe, please reference the picture below.






IMPORTANT NOTES:

Placing the dehumidifier on an uneven surface or improper hose installation may result in water filling up the water tank and causing the unit to shut off. Empty water tank if shut-off occurs, then check dehumidifier location and hose for proper setup. The tank must be in place and securely seated for the dehumidifier to operate.


PARTS AND FEATURES

MAIN FEATURE


Dehumidify mode

- Press the Mode button to choose Dehumidify mode.
- The “” indicator will light up on the control panel.
- Press the Fan button to choose “” High and “” Low, the indicator will light up.
- Press the Humidity button to cycle choose (70% - 60% - 50% - 40%) desired room humidity.




Turbo mode

- Press the Mode button to choose Turbo mode.
- The “” indicator will light up on the control panel.
- In this mode, fan speed is high and cannot change, the humidity is set at 30% and all the humidity indicators are off.

Dry mode

- Press the Mode button to choose Dry mode.
- The “” indicator will light up on the control panel.
- In this mode, fan speed is high and cannot change, the humidity is set at 15% and all the humidity indicators are off.
- In this mode, the Timer function cannot be used. If Dry mode is chosen, after 24 hours it will change to Dehumidify mode if there is no operation.

Continuous mode

- Press the Mode button to choose Continuous mode.
- The “” indicator will light up on the control panel.
- In this mode, the humidity is set at 15% and all the humidity indicators are off.
- Press the Fan button to choose “” High and “” Low, the indicator will light up.
- In this mode, the Timer function cannot be used.

Timer

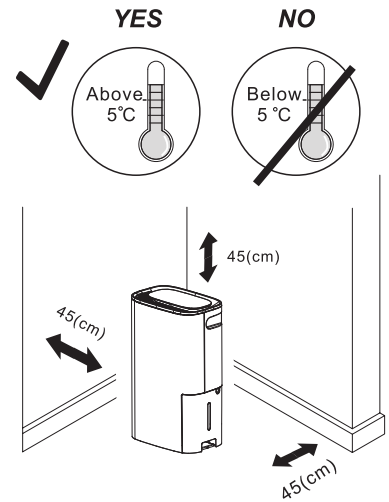
- To program the unit to automatically turn on, press the Timer button when the unit is standby.
- Press Timer button to cycle between “2h - 4h - 8h - off”.
- Press the Timer button, the “2h” indicator will flash. Within 5 seconds press the Timer button again to cycle between “2h - 4h - 8h - off”. In 5 seconds if the Timer button is not pressed, the Timer Auto on is active, and corresponding indicator will light up.
- When Timer auto startup is active, press the Timer button to cancel timer.

- To program the unit to automatically turn off, press the Timer button when the unit is on.
- Press the Timer button to cycle between “2h - 4h - 8h - off”.
- Press the Timer button, the “2h” indicator will flash. Within 5 seconds press the Timer button again to cycle between “2h - 4h - 8h - off”. In 5 seconds if the Timer button is not pressed, the Timer Auto off is active, and corresponding indicator will light up.
- When Timer auto off is active, press the Timer button to cancel timer.

CHOOSING A LOCATION

A dehumidifier operating in a living room will have little or no effect in drying out an adjacent enclosed storage area, such as a closet, unless there is adequate circulation of air in and out of the area.

- Do not use outdoors.
- This dehumidifier is intended for indoor use only. Place the dehumidifier on a smooth, level floor surface that is strong enough to support the unit with a full water tank of water.
- Allow at least 45cm of airflow on all sides.
- Place the dehumidifier in an area where the temperature will not fall below 5°C.
- Use the dehumidifier in cooking, laundry, bathing and dishwashing areas that have excess moisture. Place the dehumidifier away from a clothes dryer.
- Use the dehumidifier to prevent moisture damage anywhere books or valuables are stored.
- Use the dehumidifier in a basement to help prevent moisture.
- The dehumidifier must be operated in an enclosed area to be most effective.
- Close all doors, windows and other outside openings to the room.



STORE AND CLEAN

Note: Make sure power is off and the power cord is not plugged into an electrical outlet prior to performing any maintenance on the unit.

Clean or Replace Filter – Refer to Operating Instructions Clean Filter section.

Cleaning the Unit Housing –

- 1) Keep the unit from being exposed directly to the sun to prevent colour fading and deterioration.
- 2) Clean the surface with a damp cloth and dry it with a soft towel.

Storing the unit for an extended period of time or transporting the unit

- 1) Clean or replace filter – refer to operating instructions.
- 2) Unplug the unit.
- 3) Empty any excess water.
- 4) The unit should be stored in a cool dry place when not used.

STORE AND CLEAN

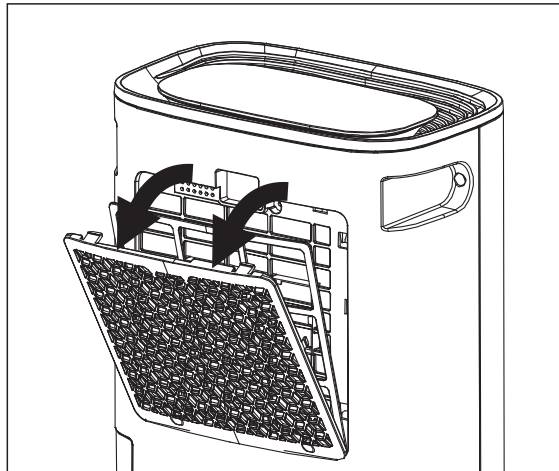
Clean filter

If the filter is dirty, air circulation is compromised and the efficiency of the dehumidifying decreases. It is therefore good practice to clean the filter at regular intervals. The frequency depends on the duration and conditions of operation.

If the unit is used constantly or systematically, you are recommended to clean the filter once a week.

The filter is housed in the intake grille as below.

Use a vacuum cleaner to remove dust accumulations from the filter. If it is very dirty, immerse in warm water and rinse a number of times. The water should never be hotter than 40°C. After washing, leave the filter to dry then attach the intake grille to the unit.



CAUTION: DO NOT OPERATE THE DEHUMIDIFIER WITHOUT THE FILTER

NOTE: Do not clean filter in dishwasher

TROUBLE SHOOTING

BEFORE CALLING FOR SERVICE

Before you call for service, review this list. It may save you time and expense. This list includes common occurrences that are not the result of a defect in workmanship or materials.

Problem	Possible Causes	Solutions
Dehumidifier does not start	<ul style="list-style-type: none"> The Dehumidifier is unplugged. The fuse is blown/circuit breaker is tripped. Dehumidifier has reached its present level or the water tank is full Water tank is not in the proper position. Power Failure. 	<ul style="list-style-type: none"> Make sure the dehumidifier's plug is pushed completely into the outlet. Check the house fuse/circuit breaker box and replace fuse or reset breaker. The dehumidifier automatically turns off when either condition occurs. Change to a lower setting or empty the water bucket and replace properly. The water tank must be in place and securely seated for the dehumidifier to operate. There is a protective time delay (up to 3 min) to prevent tripping of the compressor overload. For this reason, the unit may not start normal dehumidification for 3min, after it is powered back on.
Dehumidifier runs too much	<ul style="list-style-type: none"> The area to be dehumidified is too large. Doors and windows are open 	<ul style="list-style-type: none"> The capacity of your dehumidifier may not be adequate for the room size. Close all doors and windows to the outside
Frost appears on the coils	<ul style="list-style-type: none"> The dehumidifier has recently been turned on or the room temperature is too low 	<ul style="list-style-type: none"> This is normal. Frost will usually disappear within 60 minutes.
Controls cannot be set	<ul style="list-style-type: none"> The compressor will turn off and the fan will automatically continue to run for approximately 3 minutes at a fixed setting. Air is moving through the unit. 	<ul style="list-style-type: none"> This is normal. Wait approximately 3 minutes and set the fan speed at the desired level. This is normal.

TROUBLE SHOOTING

BEFORE CALLING FOR SERVICE

Problem	Possible Causes	Solutions
Dehumidifier does not dry the air as it should	<ul style="list-style-type: none">• Not enough time allowed for unit to remove moisture.• Airflow is restricted.• Dirty filter.• The Humidity Control may not be set low enough.• Doors and windows may not be closed tightly.• Clothes dry may be blowing moist air into the room.• Room temperature is too low.	<ul style="list-style-type: none">• When first installed, allow at least 24 hours to maintain the desired dryness.• Make sure there are no curtains, blinds, or furniture blocking the front or back of the dehumidifier. See the CHOOSING A LOCATION section.• See the CLEAN FILTER section.• For drier air, choose lower humidity desired in the room, or set dry mode or continuous mode.• Check that all doors, windows, and other openings are securely closed.• Install the dehumidifier away from the dryer. The dryer should be vented outside• Moisture removal is best at higher room temperatures. Lower room temperatures will reduce the moisture removal rate. This model is designed to operate at temperatures above 5°C
Water on the floor	<ul style="list-style-type: none">• Hose connection may be loose.• Hose is attached but not draining.	<ul style="list-style-type: none">• Check the hose connection. See the CONTINUOUS MODE Section.• Disconnect the hose if using the water tank or place the hose near a drain.

TECHNICAL SPECIFICATION

Model	CFO-16P
Rated voltage	220–240 V~
Rated frequency	50 Hz
Power input	220 W (max. 245 W)
Dehumidifying	16 l / day
Operating temperature	5–32 °C
Refrigerant (charge)	R290 (0,0085kg)
Sound pressure level	max. 41dB(A)
Weight netto / bruto	10,5 / 11,5 kg
Water tank volume	2,5 l

REFRIGERANT

Type of refrigerant: R290 (Propan)

The maintenance and the liquidation must be carried out by qualified personnel.

The composition of the cooling medium R290: (CH₃CH₂CH₃)

The quantity of the refrigerant: please see the unit label. **Hermetically sealed system.**

The value GWP: 3

GWP = Global Warming Potential



In case of quality problem or other please contact your local supplier or authorized service center.

Emergency number: 112

PRODUCER

SINCLAIR CORPORATION Ltd.

1-4 Argyll St.

LONDON

W1F 7LD

United Kingdom

www.sinclair-world.com

This product was manufactured in China (Made in China).

REPRESENTATIVE, TECHNICAL SUPPORT

SINCLAIR Global Group s.r.o.

Purkyňova 45

612 00 Brno

Czech republic

Tel.: +420 541 590 140

Fax: +420 541 590 124

www.sinclair-solutions.com

info@sinclair-solutions.com

