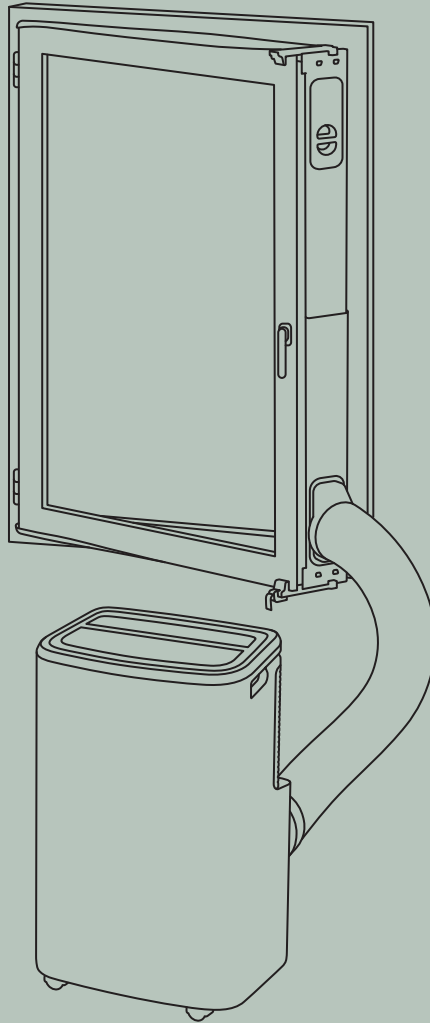


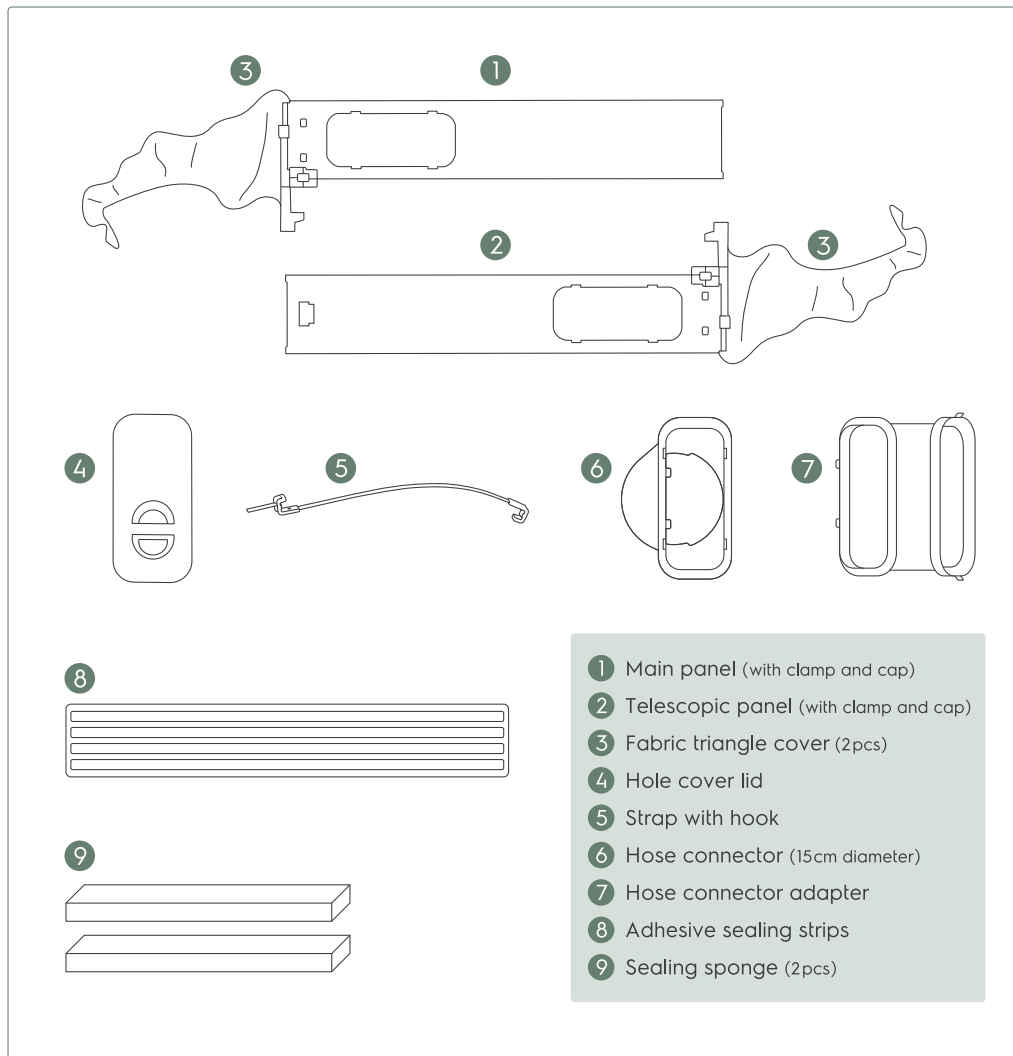


Electrolux

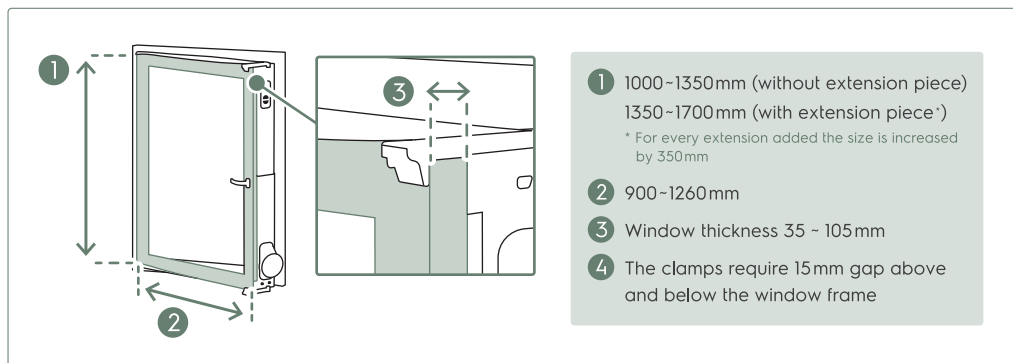


**Premium Window Kit
EWKIT5**

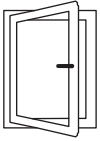
www.electrolux.com



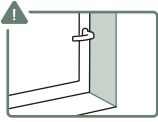
Window size and space requirements for the window kit to operate properly



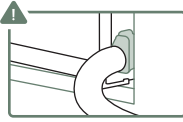
Suited to the following window types



Side hinged inward



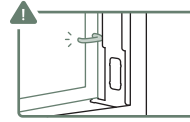
Please make sure there is enough space between the window and wall for hose mounting.



For recessed windows, the minimum distance to be able to mount the adapter part is between 120-150mm depending on the window type and structure.

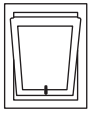


Side hinged outward



In some cases, the handle can prevent the window from sealing completely.

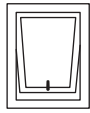
NOT Suited to the following window types



Top hinged outward projecting (with gap at the top)



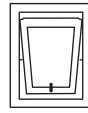
Pivot hinged vertical



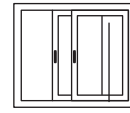
Top hinged outward



Pivot hinged horizontal



Tilt and turn

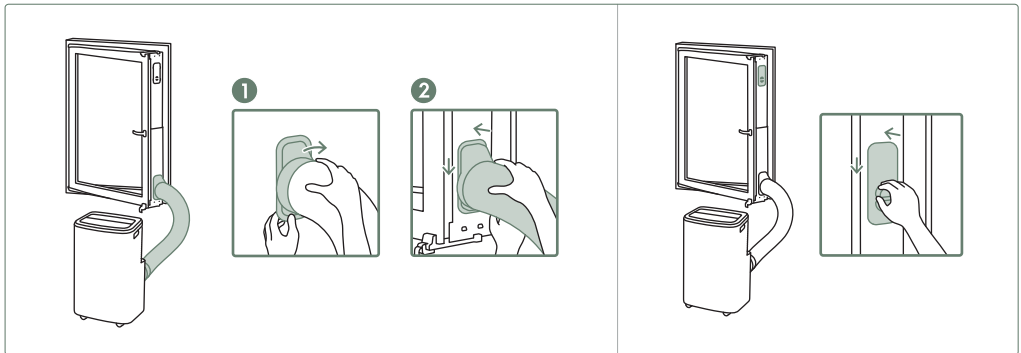
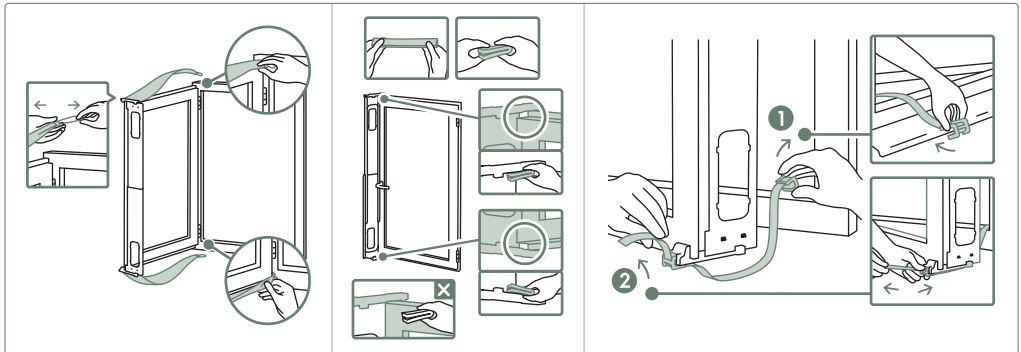
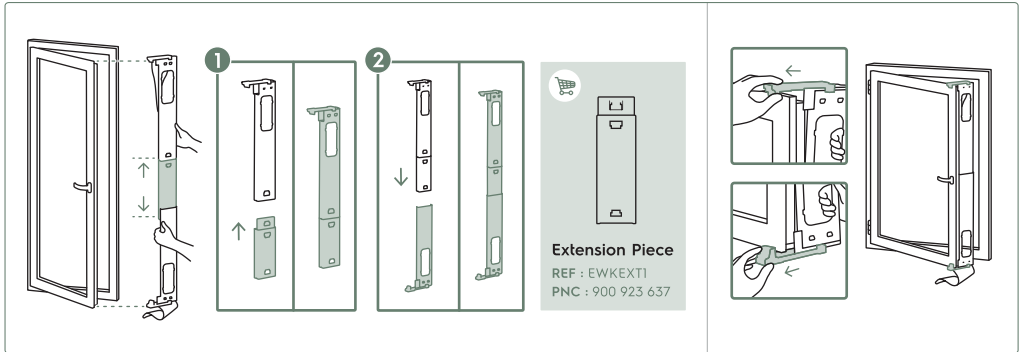
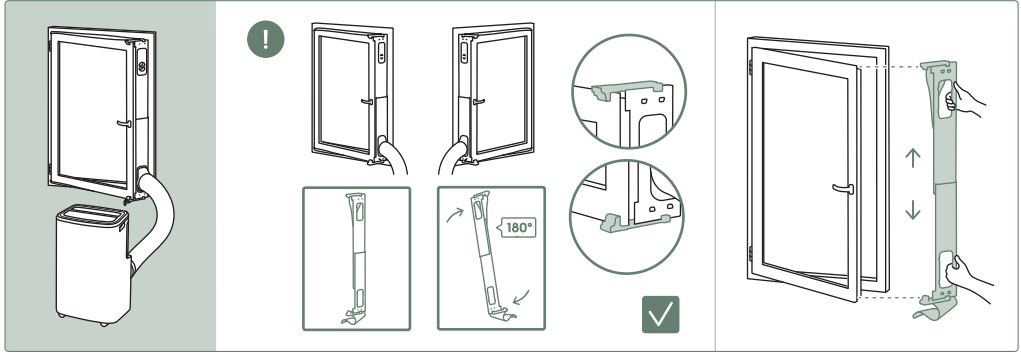


Sliding

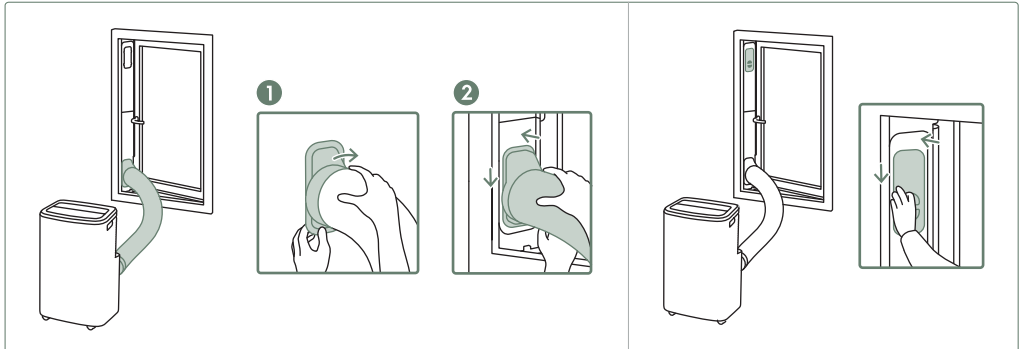
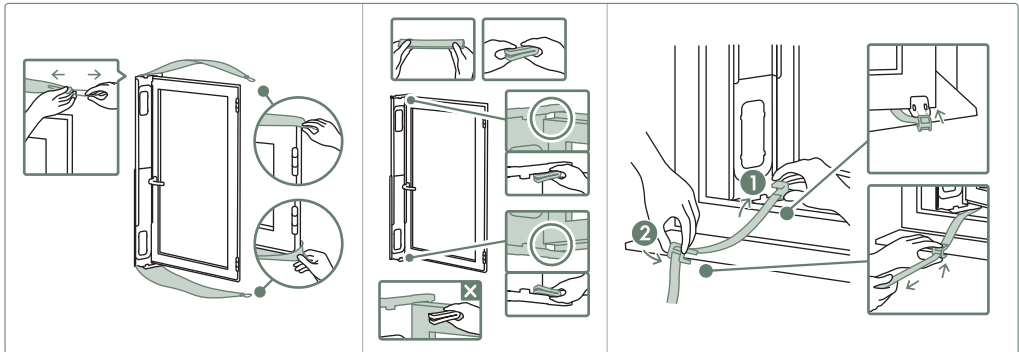
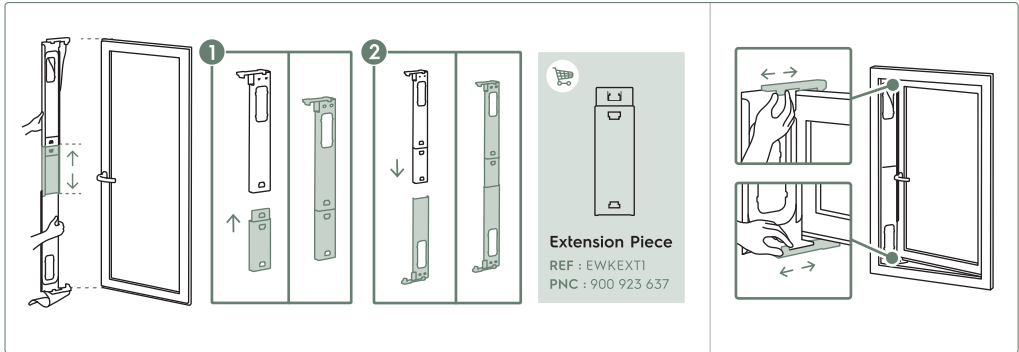
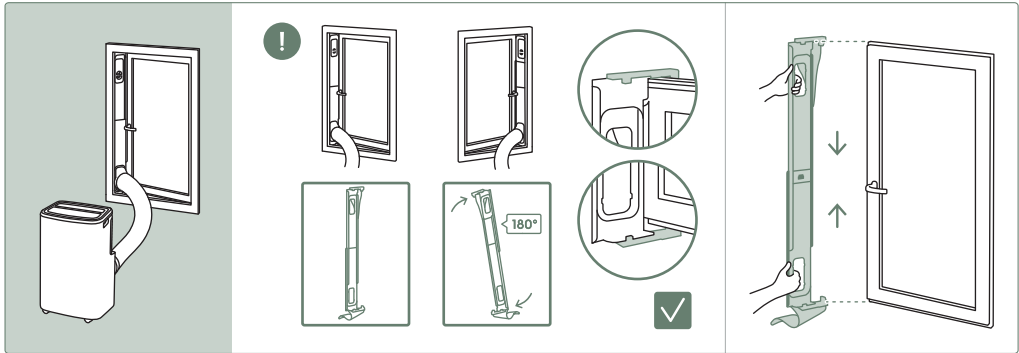
How to apply the adhesive sealing strips

*Please keep excess adhesive sealing strips for use in the extension piece.

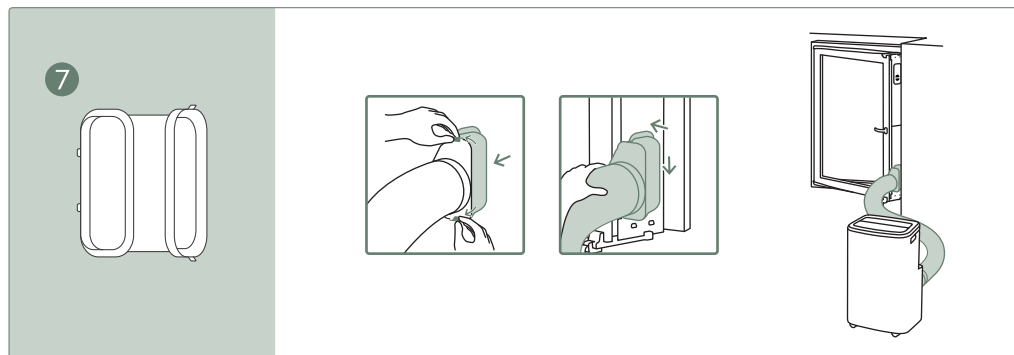
Inward hinged window



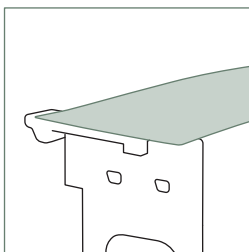
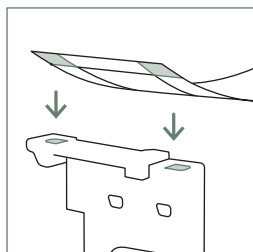
Outward hinged window



Install the hose connector adapter for recessed windows



Fabric cover wash instructions



- Cold wash at or below 40°C.
- Don't bleach.
- Do not tumble dry.
- Iron at temperature no more than 110°C.
- Dry clean, tetrachloroethylene (PCE) only.

 www.electrolux.com / shop.electrolux.com



Extension Piece

REF : EWKEXT1
PNC : 900 923 637

